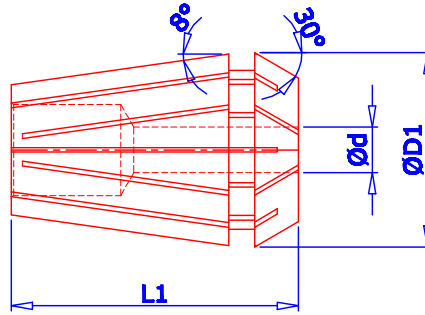
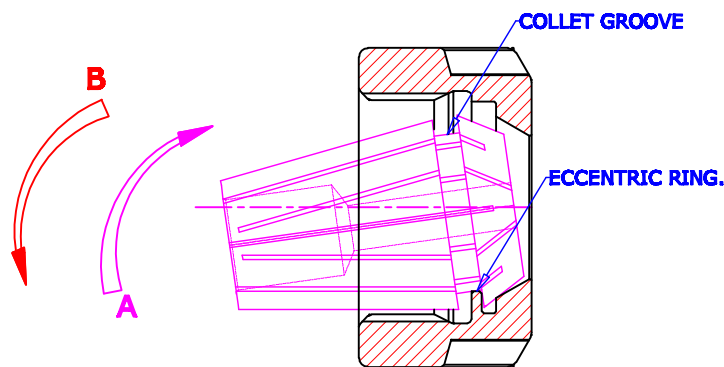


## ER COLLET STD DIN-6499

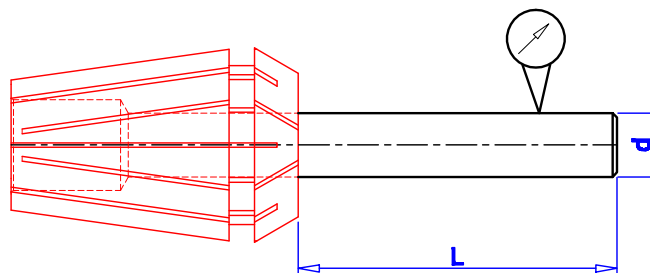


COLLET DESIGNATION	BORE RANGE $\phi$ 'd'			CLAMPING CAPACITY PER SET		EACH COLLET COLLAPSE BY mm.	$\phi$ D1 mm	L 1 mm
	FROM mm	TO	IN STEPS mm	FROM mm	TO mm			
ER8	0.5	5	0.5	0.5	5.0	0.5	8.5	13.5
ER11	0.5	7	0.5	0.5	7.0	0.5	11.5	18.0
ER16	0.5	10	1.0	0.5	10.0	1.0	17.0	27.0
ER20	1.0	13	1.0	1.0	13.0	1.0	21.0	31.0
ER25	1.0	16	1.0	1.0	16.0	1.0	26.0	35.0
ER32	2.0	20	1.0	2.0	20.0	1.0	33.0	40.0
ER40	3.0	26	1.0	3.0	26.0	1.0	41.0	46.0
ER50	10.0	34	2.0	10.0	34.0	2.0	52.0	60.0

THE COLLET MUST ALWAYS BE INSERTED IN TO THE NUT BEFORE SETTING THE TOOL IN TO THE COLLET. THE COLLET IS FITTED INSIDE THE NUT BY APPLYING SLIGHT PRESSURE A. IT IS REMOVED BY APPLYING B TO THE COLLET. NEVER TIGHTEN THE CHUCK WITHOUT A CORRECT SIZE TOOL SHANK BEING PRESENT IN THE COLLET.



### CONCENTRICITY (T.I.R) OF COLLETS (DIN-6499 FROM B)



CONCENTRICITY					
CLAMPING RANGE mm		L	T.I.R mm	ER	ER-UP
FROM $\phi d$	TO $\phi d$		DIN	(Standard)	(Ultra Precision)
1.0	1.6	6	0.015	0.010	0.005
1.6	3	10			
3.0	6	16			
6.0	10	25			
10.0	18	40	0.020	0.010	0.005
18.0	26	50			
26.0	34	60			