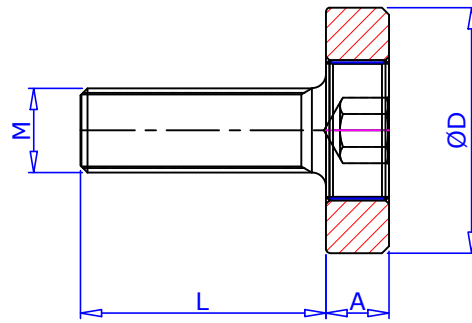
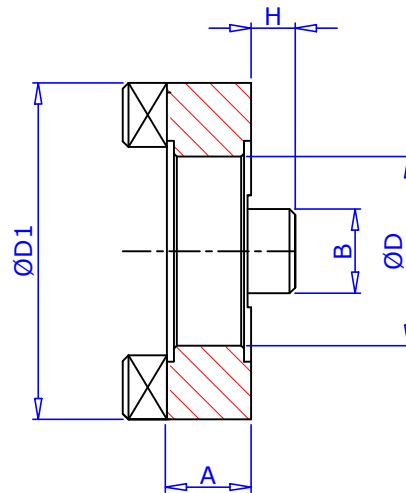


CUTTER CLAMPING SCREW FOR CSMH / FMH (DIN 6367)



CLAMPING SCREW	Ø D	A	L	M
CSMA16	20.0	7.0	25.0	M8
CSMA22	28.0	8.0	25.0	M10
CSMA27	35.0	9.0	35.0	M12
CSMA32	42.0	10.0	35.0	M16
CSMA40	52.0	11.0	40.0	M20

DRIVER RINGS FOR CSMA (DIN 6366)



DRIVER RINGS	Ø D1	Ø D	A	B	H
16	32	16	10	8	5.0
22	40	22	12	10	5.6
27	48	27	12	12	6.3
32	58	32	14	14	7.0
40	78	40	14	16	8.0