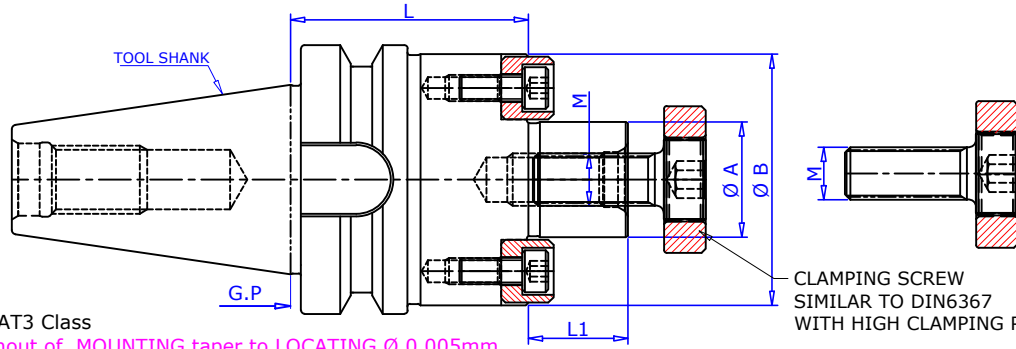


FACE MILL HOLDER TENNON DRIVER DIN 6357 (FMH)
FACE MILL HOLDER TENNON DRIVER + DIN 2079* (FMH)



Taper Angle AT3 Class

Maximum runout of MOUNTING taper to LOCATING \varnothing 0.005mm

Balancing GRADE:- G6.3 /12,000 rev./min STD.

Fine Balancing of Tool Holder:- SPECIFY CLASS (AT EXTRA COST)

Designation	Tool Shank	$\varnothing A$ h6	L	L1	$\varnothing B$	M	TENON
BT 30 FMH 16 040 G.P	BT 30	16	40	17	38	M8	8
BT 30 FMH 22 040 G.P	BT 30	22	40	19	48	M10	10
BT 30 FMH 27 040 G.P	BT 30	27	40	21	58	M12	12
BT 40 FMH 16 045 G.P	BT 40	16	45	17	38	M8	8
BT 40 FMH 16 100 G.P	BT 40	16	100	17	38	M8	8
BT 40 FMH 16 120 G.P	BT 40	16	120	17	38	M8	8
BT 40 FMH 16 160 G.P	BT 40	16	160	17	38	M8	8
BT 40 FMH 22 045 G.P	BT 40	22	45	19	48	M10	10
BT 40 FMH 22 100 G.P	BT 40	22	100	19	48	M10	10
BT 40 FMH 22 120 G.P	BT 40	22	120	19	48	M10	10
BT 40 FMH 22 160 G.P	BT 40	22	160	19	48	M10	10
BT 40 FMH 27 045 G.P	BT 40	27	45	21	58	M12	12
BT 40 FMH 27 100 G.P	BT 40	27	100	21	58	M12	12
BT 40 FMH 27 120 G.P	BT 40	27	120	21	58	M12	12
BT 40 FMH 27 160 G.P	BT 40	27	160	21	58	M12	12
BT 40 FMH 32 050 G.P	BT 40	32	50	24	78	M16	14
BT 40 FMH 32 100 G.P	BT 40	32	100	24	78	M16	14
BT 40 FMH 32 120 G.P	BT 40	32	120	24	78	M16	14
BT 40 FMH 32 160 G.P	BT 40	32	160	24	78	M16	14
BT 40 FMH 40 055 G.P WITH PCD HOLE *	BT 40	40	55	27	88	M20	16
BT 40 FMH 40 100 G.P WITH PCD HOLE *	BT 40	40	100	27	88	M20	16
BT 40 FMH 40 160 G.P WITH PCD HOLE *	BT 40	40	160	27	88	M20	16
BT 50 FMH 16 055 G.P	BT 50	16	55	17	38	M8	8
BT 50 FMH 16 100 G.P	BT 50	16	100	17	38	M8	8
BT 50 FMH 16 150 G.P	BT 50	16	150	17	38	M8	8
BT 50 FMH 22 055 G.P	BT 50	22	55	19	48	M10	10
BT 50 FMH 22 100 G.P	BT 50	22	100	19	48	M10	10
BT 50 FMH 22 150 G.P	BT 50	22	150	19	48	M10	10
BT 50 FMH 27 055 G.P	BT 50	27	55	21	58	M12	12
BT 50 FMH 27 100 G.P	BT 50	27	100	21	58	M12	12
BT 50 FMH 27 150 G.P	BT 50	27	150	21	58	M12	12
BT 50 FMH 32 060 G.P	BT 50	32	60	24	78	M16	14
BT 50 FMH 32 100 G.P	BT 50	32	100	24	78	M16	14
BT 50 FMH 32 150 G.P	BT 50	32	150	24	78	M16	14
BT 50 FMH 40 060 G.P WITH PCD HOLE *	BT 50	40	60	27	88	M20	16
BT 50 FMH 40 100 G.P WITH PCD HOLE *	BT 50	40	100	27	88	M20	16
BT 50 FMH 40 150 G.P WITH PCD HOLE *	BT 50	40	150	27	88	M20	16
BT 50 FMH 60 075 G.P WITH PCD HOLE *	BT 50	60	75	30	130	M30	25

Ordering Example :- BT40 FMH27 045 G.P - 2 Nos.

All Details are subject to change without notice.