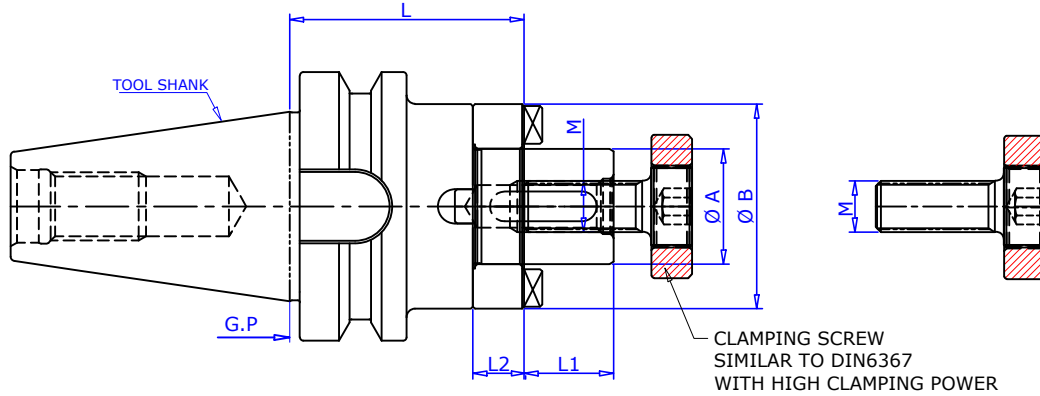


COMBY SHELL MILL ADAPTOR DIN 6358 (CSMA)



Taper Angle AT3 Class

Maximum runout of MOUNTING taper to LOCATING \varnothing 0.005mm

Balancing GRADE:- G6.3 /12,000 rev./min STD.

Fine Balancing of Tool Holder:- SPECIFY CLASS (AT EXTRA COST)

Designation	Tool Shank	$\varnothing A$ h6	L	L1	L2	$\varnothing B$	M	KEY W x L
BT 30 CSMA 16 050 G.P	BT 30	16	50	17	10	32	M8	4 x 20
BT 30 CSMA 22 050 G.P	BT 30	22	50	19	12	40	M10	6 x 25
BT 30 CSMA 27 055 G.P	BT 30	27	55	21	12	48	M12	7 x 25
BT 40 CSMA 16 055 G.P	BT 40	16	55	17	10	32	M8	4 x 20
BT 40 CSMA 16 100 G.P	BT 40	16	100	17	10	32	M8	4 x 20
BT 40 CSMA 16 160 G.P	BT 40	16	160	17	10	32	M8	4 x 20
BT 40 CSMA 22 055 G.P	BT 40	22	55	19	12	40	M10	6 x 25
BT 40 CSMA 22 100 G.P	BT 40	22	100	19	12	40	M10	6 x 25
BT 40 CSMA 22 160 G.P	BT 40	22	160	19	12	40	M10	6 x 25
BT 40 CSMA 27 055 G.P	BT 40	27	55	21	12	48	M12	7 x 25
BT 40 CSMA 27 100 G.P	BT 40	27	100	21	12	48	M12	7 x 25
BT 40 CSMA 27 160 G.P	BT 40	27	160	21	12	48	M12	7 x 25
BT 40 CSMA 32 060 G.P	BT 40	32	60	24	14	58	M16	8 x 30
BT 40 CSMA 32 100 G.P	BT 40	32	100	24	14	58	M16	8 x 30
BT 40 CSMA 32 160 G.P	BT 40	32	160	24	14	58	M16	8 x 30
BT 40 CSMA 40 060 G.P	BT 40	40	60	27	14	70	M20	10 x 30
BT 40 CSMA 40 100 G.P	BT 40	40	100	27	14	70	M20	10 x 30
BT 40 CSMA 40 160 G.P	BT 40	40	160	27	14	70	M20	10 x 30
BT 50 CSMA 16 065 G.P	BT50	16	65	17	10	32	M8	4 x 20
BT 50 CSMA 16 100 G.P	BT50	16	100	17	10	32	M8	4 x 20
BT 50 CSMA 16 160 G.P	BT50	16	160	17	10	32	M8	4 x 20
BT 50 CSMA 22 065 G.P	BT50	22	65	19	12	40	M10	6 x 25
BT 50 CSMA 22 100 G.P	BT50	22	100	19	12	40	M10	6 x 25
BT 50 CSMA 22 160 G.P	BT50	22	160	19	12	40	M10	6 x 25
BT 50 CSMA 27 065 G.P	BT50	27	65	21	12	48	M12	7 x 25
BT 50 CSMA 27 100 G.P	BT50	27	100	21	12	48	M12	7 x 25
BT 50 CSMA 27 160 G.P	BT50	27	160	21	12	48	M12	7 x 25
BT 50 CSMA 32 080 G.P	BT50	32	80	24	14	58	M16	8 x 30
BT 50 CSMA 32 100 G.P	BT50	32	100	24	14	58	M16	8 x 30
BT 50 CSMA 32 160 G.P	BT50	32	160	24	14	58	M16	8 x 30
BT 50 CSMA 40 080 G.P	BT50	40	80	27	14	70	M20	10 x 30
BT 50 CSMA 40 100 G.P	BT50	40	100	27	14	70	M20	10 x 30
BT 50 CSMA 40 160 G.P	BT50	40	160	27	14	70	M20	10 x 30

Ordering Example :- BT40 CSMA27 055 G.P - 2 Nos.

All Details are subject to change without notice.