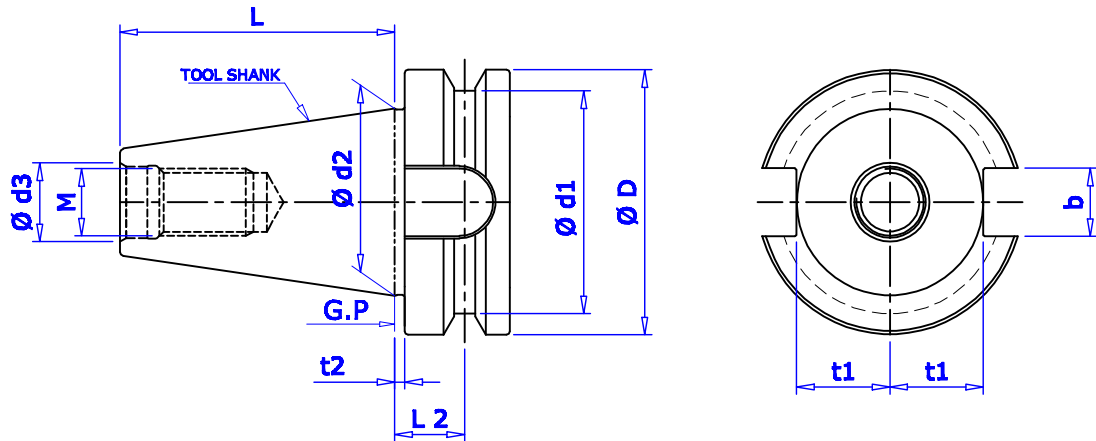
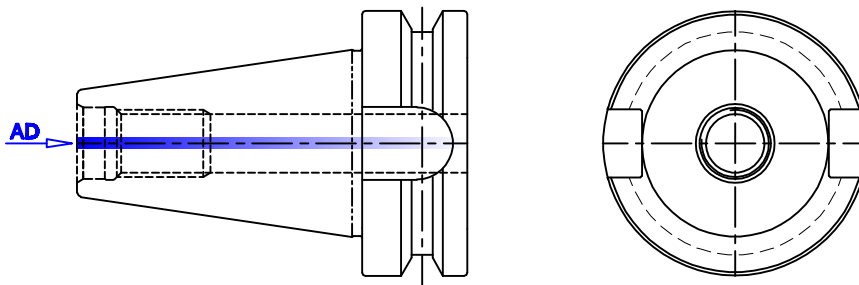
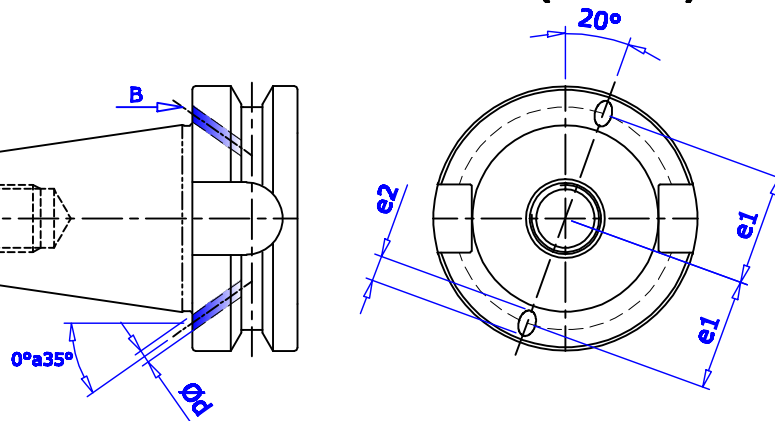


**SPECIFICATION BT MAS 403 FORM A**


TOOL SHANK	Ø D	Ø d1	Ø d2	L	Ø d3	M	t1	b	t2	L2
BT 30	46	38	31.75	48.4	12.5	M12	16.3	16.1	2	13.60
BT 40	63	53	44.45	65.4	17	M16	22.6	16.1	2	16.60
BT 50	100	85	69.85	101.8	25	M24	35.4	25.7	3	23.20

**WITH COOLANT THROUGH CENTRE (FORM AD)**

**WITH COOLANT THROUGH FLANGE (FORM B)**


TAPER SHANK	Ød	e 1	e 2
BT 40	4	27	5
BT 50	6	42	7