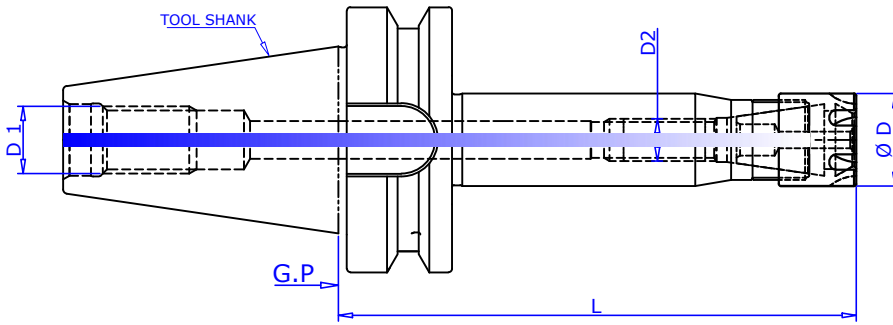


COLLET CHUCKS EXTRA LONG WITH M NUTS DIN 6499 ER TYPE (AD)



Taper Angle AT3 Class

Maximum runout of MOUNTING taper to INTERNAL taper 0.005mm

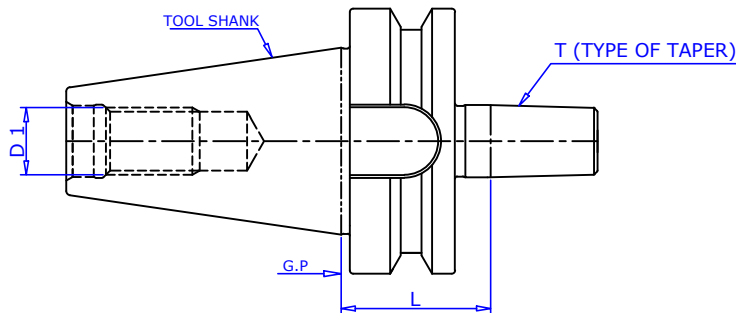
Balancing GRADE:- G6.3 /12,000 rev./min STD.

Fine Balancing of Tool Holder:- SPECIFY CLASS (AT EXTRA COST)

Collet Chuck Designation	Suitable for Collet	Collet Clamping Capacity	L	D1	D2	Nut		Spanner Designation
						Ø D	Designation	
BT 40 ER 16 M120 G.P	ER 16	0.5 - 10	120	M 16	M10 x 1P	22	ER16 M	E16 M
BT 40 ER 16 M160 G.P	ER 16	0.5 - 10	160	M 16	M10 x 1P	22	ER16 M	E16 M
BT 40 ER 20 M120 G.P	ER 20	1.0 - 13	120	M 16	M10 x 1P	28	ER20 M	E20 M
BT 40 ER 20 M160 G.P	ER 20	1.0 - 13	160	M 16	M10 x 1P	28	ER20 M	E20 M
BT 40 ER 25 M120 G.P	ER 25	1.0 - 16	120	M 16	M18 x 1P	35	ER25 M	E25 M
BT 40 ER 25 M160 G.P	ER 25	1.0 - 16	160	M 16	M18 x 1P	35	ER25 M	E25 M

Ordering Example :- BT40 ER25 M160 - 2 Nos.

ADAPTOR FOR DRILL CHUCKS (JACOBS / DIN 238)



Taper Angle AT3 Class

Concentricity of SPINDLE MOUNTING taper to TOOL MOUNTING is within 0.005mm.

Designation	Tool Shank	T	L
BT 30 B12	B 30	B12	26.5
BT 30 B16	B 30	B16	26.5
BT 40 J6	B 40	J6	35.5
BT 40 B12	B 40	B12	35.5
BT 40 B16	B 40	B16	35.5
BT 50 J6	B 50	J6	46.5
BT 50 B12	B 50	B12	46.5
BT 50 B16	B 50	B16	46.5

Ordering Example :- BT40 B12 - 02 Nos.

All Details are subject to change without notice.