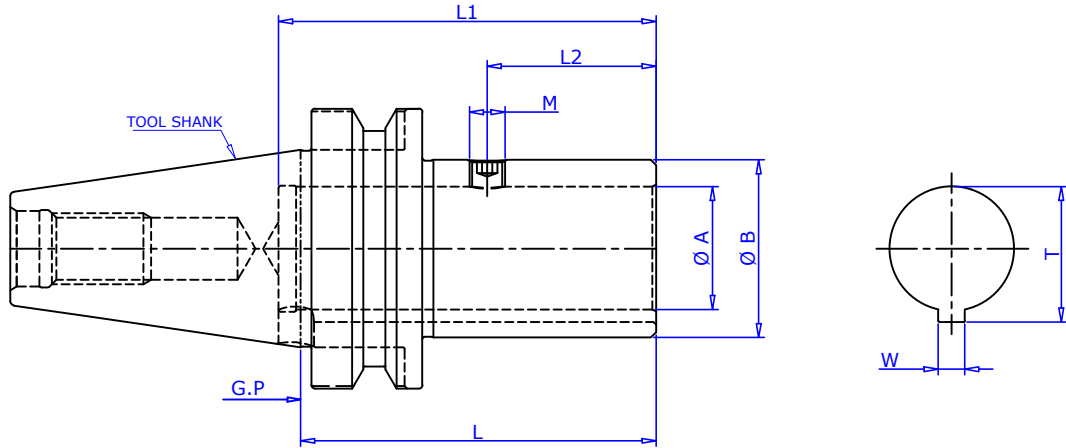


HOLDER FOR ADJUSTABLE ADAPTOR (DIN55058)



Taper Angle AT3 Class

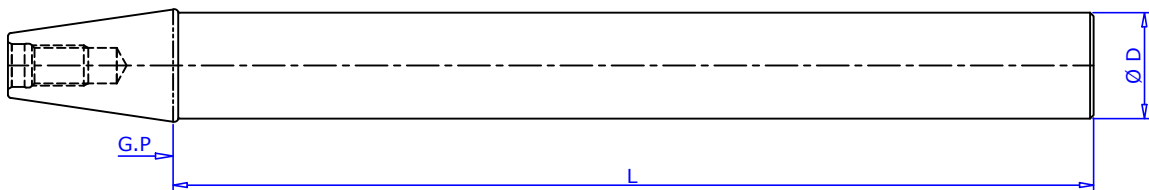
Maximum runout of MOUNTING taper to INTERNAL dia 0.005mm

Balancing GRADE:- G6.3 /12,000 rev./min STD.

Designation	Tool Shank	Ø A h6	L	L1	L2	Ø B	M	T	W
BT 40 AA 28 Ø80 G.P	BT 40	28	80	85	38	40	M8	29.70	6
BT 40 AA 36 100 G.P	BT 40	36	100	106	45	50	M8	37.70	8
BT 50 AA 28 Ø80 G.P	BT 50	28	80	85	38	40	M8	29.70	6
BT 50 AA 36 100 G.P	BT 50	36	100	106	45	50	M8	37.70	8
BT 50 AA 48 125 G.P	BT 50	48	125	129	57	67	M10	50.10	10

Ordering Example :- BT40 AA 36 100 G.P - 2 Nos.

MASTER MANDREL



Taper Angle AT3 Class.

Master Mandrels According To MAS 403 STD.
Runout Max. 0.005 Taper w.r.t. Plane Dia. At L

Note :- To Be Vertically Stored.
Supplied In Wooden Box.

BT 30 Ø32 L = 250

BT 40 Ø40 L = 300

BT 50 Ø50 L = 350