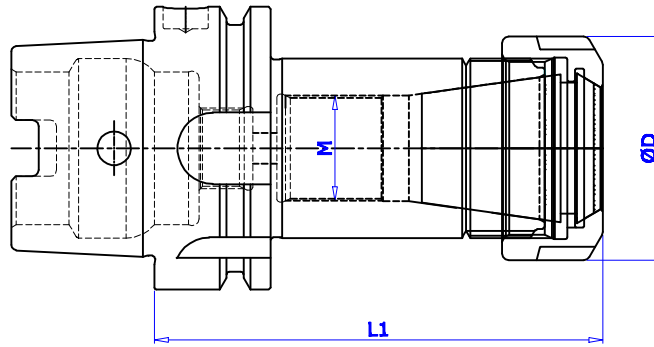


COLLET CHUCKS ER TYPE (DIN 6499) FOR PARALLEL SHANK TOOLS



Maximum runout of MOUNTING taper to INTERNAL taper 0.003mm

Balancing GRADE:- G6.3 /15,000 rev./min STD.

Fine Balancing of Tool Holder:- SPECIFY CLASS (AT EXTRA COST)

HSK ER COLLET CHUCK	CALMPING CAPACITY	Ø D	L1	M
HSK-A 50 ER16 060 G.P	0.5 - 10	28.0	60	M10x1
HSK-A 50 ER16 100 G.P	0.5 - 10	34.0	100	M10x1
HSK-A 50 ER20 100 G.P	1.0 - 13	34.0	100	M10x1
HSK-A 50 ER25 070 G.P	1.0 - 16	42.0	70	M18x1
HSK-A 50 ER25 100 G.P	1.0 - 16	42.0	100	M18x1
HSK-A 50 ER32 080 G.P	2.0 - 20	50.0	80	M22x1.5
HSK-A 50 ER32 100 G.P	2.0 - 20	50.0	100	M22x1.5
HSK-A 50 ER40 080 G.P	3.0 - 26	63.0	80	M30X1.5
HSK-A 63 ER16 100 G.P	0.5 - 10	28.0	100	M10x1
HSK-A63 ER16 160 G.P	0.5 - 10	28.0	160	M10x1
HSK-A63 ER20 100 G.P	1.0 - 13	34.0	100	M10x1
HSK-A63 ER20 160 G.P	1.0 - 13	34.0	160	M10x1
HSK-A63 ER25 100 G.P	1.0 - 16	42.0	100	M18x1
HSK-A63 ER25 160 G.P	1.0 - 16	42.0	160	M18x1
HSK-A63 ER32 100 G.P	2.0 - 20	50.0	100	M22x1.5
HSK-A63 ER32 160 G.P	2.0 - 20	50.0	160	M22x1.5
HSK-A63 ER40 120 G.P	3.0 - 26	63.0	120	M30X1.5
HSK-A63 ER40 160 G.P	3.0 - 26	63.0	160	M30X1.5
HSK-A100 ER25 100 G.P	1.0 - 16	42.0	100	M18x1
HSK-A100 ER25 160 G.P	1.0 - 16	42.0	160	M18x1
HSK-A100 ER32 100 G.P	2.0 - 20	50.0	100	M22x1.5
HSK-A100 ER32 160 G.P	2.0 - 20	50.0	160	M22x1.5
HSK-A100 ER40 120 G.P	3.0 - 26	63.0	120	M30X1.5
HSK-A100 ER40 160 G.P	3.0 - 26	63.0	160	M30X1.5

Ordering Example :- HSK-A 63 ER16 100G.P -2 Nos