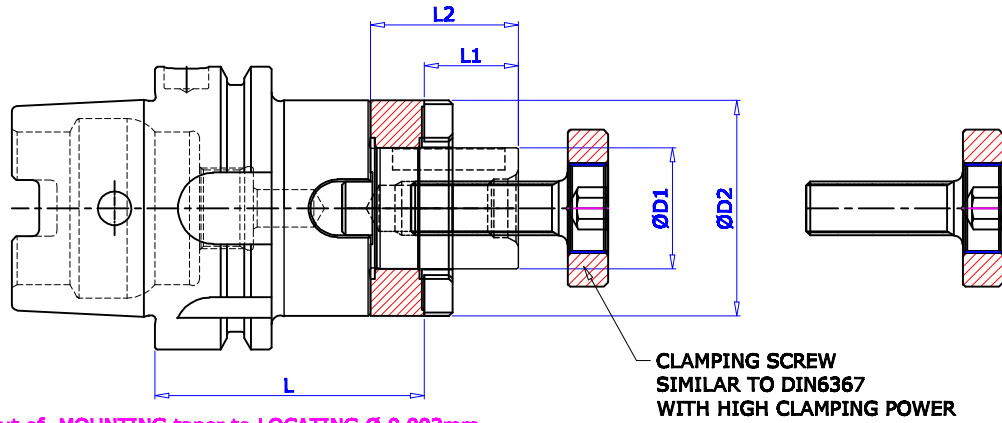


COMBI SHEEL MILL ADAPTOR DIN 6358 (CSMA)



Maximum runout of MOUNTING taper to LOCATING \varnothing 0.003mm

Balancing GRADE:- G6.3 /15,000 rev./min STD.

Fine Balancing of Tool Holder:- 2.5 G AT 25000 RPM (AT EXTRA COST)

| HSK CSMA | \varnothing D1 | L | L1 | L2 | \varnothing D2 |
|-------------------------|------------------|-----|----|----|------------------|
| HSK-A 50 CSMA16 050G.P | 16 | 50 | 17 | 27 | 32 |
| HSK-A50 CSMA22 055 G.P | 22 | 55 | 19 | 31 | 40 |
| HSK-A50 CSMA27 065 G.P | 27 | 65 | 21 | 33 | 48 |
| HSK-A50 CSMA32 065 G.P | 32 | 65 | 24 | 38 | 58 |
| HSK-A63 CSMA16 060 G.P | 16 | 60 | 17 | 27 | 32 |
| HSK-A63 CSMA16 100 G.P | 16 | 100 | 17 | 27 | 32 |
| HSK-A63 CSMA16 160 G.P | 16 | 160 | 17 | 27 | 32 |
| HSK-A63 CSMA22 060 G.P | 22 | 60 | 19 | 31 | 40 |
| HSK-A63 CSMA22 100 G.P | 22 | 100 | 19 | 31 | 40 |
| HSK-A63 CSMA22 160 G.P | 22 | 160 | 19 | 31 | 40 |
| HSK-A63 CSMA27 060 G.P | 27 | 60 | 21 | 33 | 48 |
| HSK-A63 CSMA27 100 G.P | 27 | 100 | 21 | 33 | 48 |
| HSK-A63 CSMA27 160 G.P | 27 | 160 | 21 | 33 | 48 |
| HSK-A63 CSMA32 065 G.P | 32 | 65 | 24 | 38 | 58 |
| HSK-A63 CSMA32 100 G.P | 32 | 100 | 24 | 38 | 58 |
| HSK-A63 CSMA32 160 G.P | 32 | 160 | 24 | 38 | 58 |
| HSK-A63 CSMA40 070 G.P | 40 | 70 | 27 | 41 | 70 |
| HSK-A63 CSMA40 100 G.P | 40 | 100 | 27 | 41 | 70 |
| HSK-A63 CSMA40 160 G.P | 40 | 160 | 27 | 41 | 70 |
| HSK-A100 CSMA16 065 G.P | 16 | 65 | 65 | 27 | 32 |
| HSK-A100 CSMA22 065 G.P | 22 | 65 | 65 | 31 | 40 |
| HSK-A100 CSMA27 065 G.P | 27 | 65 | 65 | 33 | 48 |
| HSK-A100 CSMA32 070 G.P | 32 | 70 | 70 | 38 | 58 |
| HSK-A100 CSMA40 070 G.P | 40 | 70 | 70 | 41 | 70 |

| D | DRIVER RING | SCREW | KEY W X L |
|----|-------------|-------------|------------|
| 16 | DR16 X 10 | SCR16 X M8 | Key 4 x 20 |
| 22 | DR22 X 12 | SCR22 X M10 | Key 6 x 25 |
| 27 | DR27 X 12 | SCR27 X M12 | Key 7 x 25 |
| 32 | DR32 X 14 | SCR32 X M16 | Key 8 x30 |
| 40 | DR40 X 14 | SCR40 X M20 | Key 10 x30 |

Ordering Example :- HSK-A 63 CSMA16 060G.P -2 Nos

All Details are subject to change without notice.