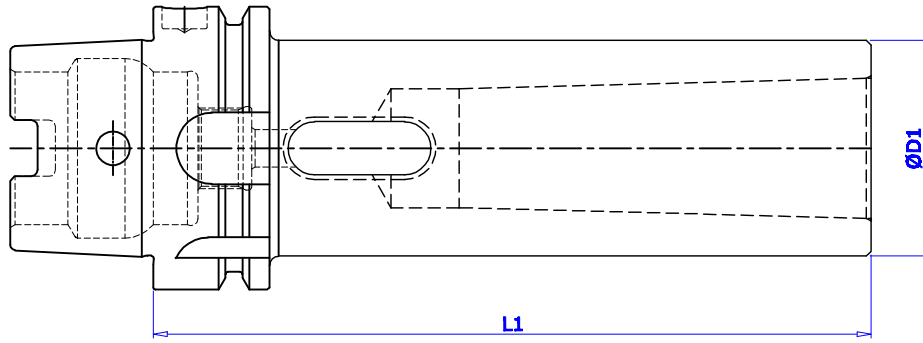


## MORSE TAPER ADAPTOR SHANK (TANGED) DIN 228-2 FORM D



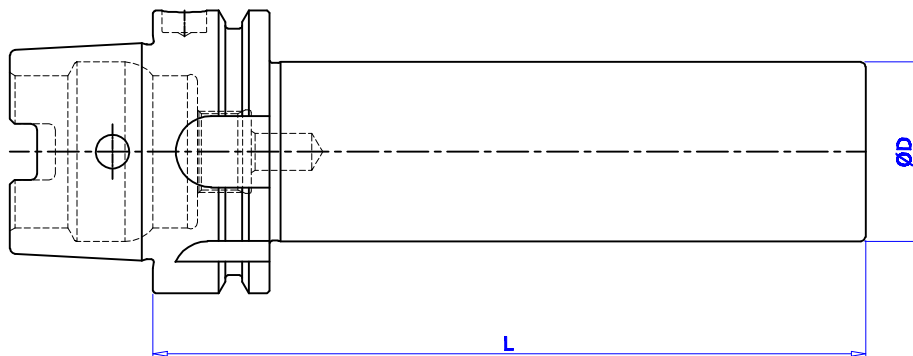
Maximum runout of MOUNTING taper to INTERNAL taper 0.003mm

Balancing GRADE:- G6.3 /15,000 rev./min STD.

HSK MORSE TAPER	Ø D1	L1
HSK-A50 MTA-1 100 G.P	25	100
HSK-A50 MTA-2 115 G.P	32	115
HSK-A50 MTA-3 135 G.P	40	135
HSK-A63 MTA-1 100 G.P	25	100
HSK-A63 MTA-2 115 G.P	32	115
HSK-A63 MTA-3 135 G.P	40	135
HSK-A63 MTA-4 160 G.P	48	160
HSK-A100 MTA-1 110 G.P	25	110
HSK-A100 MTA-2 120 G.P	32	120
HSK-A100 MTA-3 150 G.P	40	150
HSK-A100 MTA-4 170 G.P	48	170
HSK-A100 MTA-5 200 G.P	63	200

Ordering Example :- HSK-A 63 MTA1 100G.P -2 Nos

### MASTER MANDRELL



HSK MASRER MANDREL	Ø D	L
MASTER MANDRELL HSK-A 50	32	200
MASTER MANDRELL HSK-A63	40	300
MASTER MANDRELL HSK-A100	50	300

Ordering Example :- MASTER MANDREL HSK63 Ø40X300 -2 Nos

All Details are subject to change without notice.