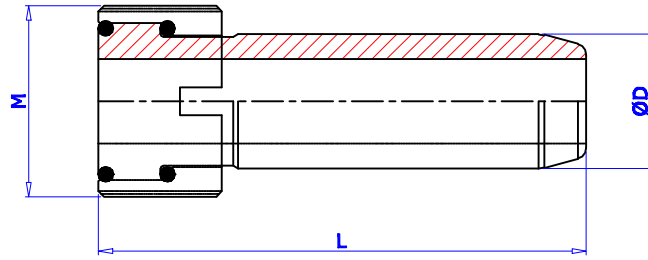


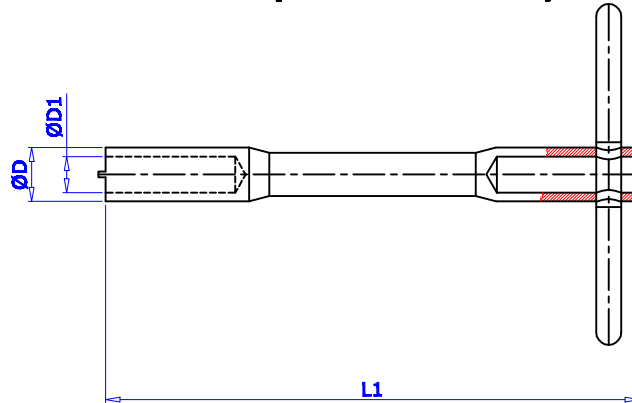
## COOLANT TUBE FOR HSK TOOL HOLDERS



**NOTE:-** The Coolant tubes are sealed with O-Rings and are built With an angular freedom of  $\pm 1^\circ$  about the neutral axis along Which it normally stays.

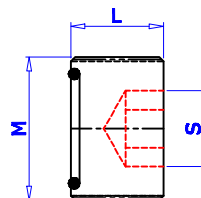
HSK TYPE	M	L	Ø D
HSK-A 50 CT	M16X1	33.0	10.0
HSK-A 63 CT	M18X1	34.0	12.0
HSK-A 100 CT	M24X1.5P	44.0	16.0

## SPANNER FOR HSK (COOLANT TUBES)



HSK TYPE	Ø D1	L1	Ø D
HSK-A 50 CTS	10.2	115.0	14.5
HSK-A 63 CTS	12.2	136.0	16.5
HSK-A 100 CTS	16.2	136.0	22.0

## SEALING PLUG.



HSK TYPE	M	L	S
SEALING PLUG FOR HSK-A 50	M16X1	10	5
SEALING PLUG FOR HSK-A 63	M18X1	12	6
SEALING PLUG FOR HSK-A 100	M24X1.5P	16	10

All Details are subject to change without notice.