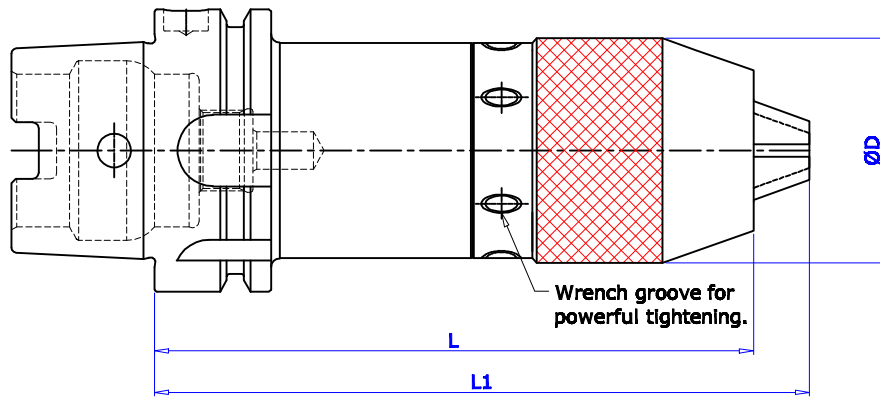


SIDDHI DRILL CHUCK (SDC)



Balancing GRADE:- G6.3 /15,000 rev./min STD.

HSK TYPE	CAPACITY	Ø D	L	L1
HSK-A 50 X SNCDC 113	0.8 TO 13.0	52	130	141
HSK-A 63 X SNCDC 113	0.8 TO 13.0	52	135	146
HSK-A100 X SNCDC 113	0.8 TO 13.0	52	135	146

Ordering Example :- SNCDC113 X HSK-A 50 -2 Nos

COMPARISON DATA OF DRILL CHUCK TIGHTENING TORQUE

Type of drill chuck	Method of tightening	Twisting moment	Comparison %
SDC 113	By Hand	6.9 Nm	100
SNCDC 113	By wrench	21.8 Nm	300

NC SDC Wrench.

