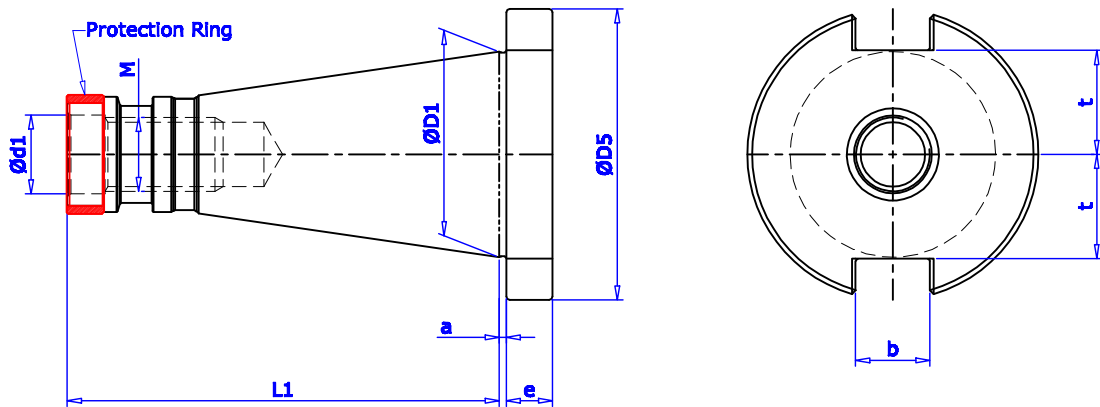


WITHOUT COOLANT (FORM A)



TAPER	ØD1	M	Ød1	ØD5	L1	t	e	b	a
30	31.75	M 12	13	50.00	68.4	16.2	8	16.1	1.6
40	44.45	M 16	17	63.00	93.4	22.5	10	16.1	1.6
50	69.85	M 24	26	97.50	126.8	35.3	12	25.7	3.2

WITH COOLANT THROUGH THE CENTRE (FORM AD)

