

SIDE LOCK ADAPTOR FOR PARLLEL SHANK TOOLS

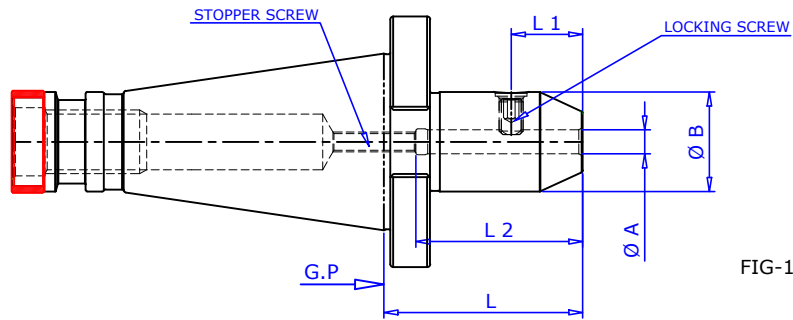


FIG-1

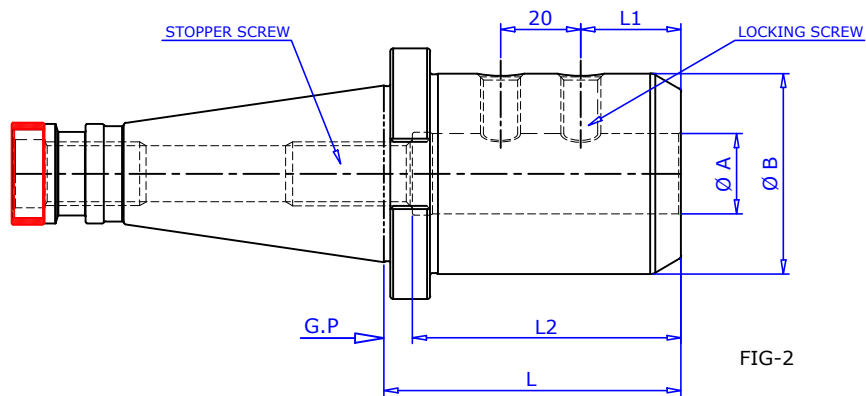


FIG-2

Taper Angle AT3 Class

Maximum runout of MOUNTING taper to INTERNAL dia 0.005mm

DESCRIPTION	ISO	ØA H5	L	ØB	L 1	L 2	STOPPER SCREW	LOCKING SCREW	
								SIZE	FIG
ISO 30 SLA 06 065 G.P	30	6	65	20	15	40	M 5	M 6	1
ISO 30 SLA 08 065 G.P	30	8	65	24	15	40	M 6	M 8	1
ISO 30 SLA 10 065 G.P	30	10	65	30	16	44	M 8	M 10	1
ISO 30 SLA 12 065 G.P	30	12	65	35	20	44	M 10	M 10	1
ISO 30 SLA 16 065 G.P	30	16	65	40	23	52	M 12	M 10	1
ISO 30 SLA 20 090 G.P	30	20	90	50	25	70	M 16	M 10	2
ISO 30 SLA 25 090 G.P	30	25	90	50	25	70	M 20	M 10	2
ISO 40 SLA 06 065 G.P	40	6	65	20	15	40	M 5	M 6	1
ISO 40 SLA 08 065 G.P	40	8	65	24	15	40	M 6	M 8	1
ISO 40 SLA 10 065 G.P	40	10	65	30	16	44	M 8	M 10	1
ISO 40 SLA 12 065 G.P	40	12	65	35	20	44	M 10	M 10	1
ISO 40 SLA 16 065 G.P	40	16	65	40	23	52	M 12	M 10	1
ISO 40 SLA 20 090 G.P	40	20	90	50	25	70	M 16	M 10	2
ISO 40 SLA 25 090 G.P	40	25	90	50	25	70	M 20	M 10	2
ISO 40 SLA 32 090 G.P	40	32	90	60	30	70	M 20	M 10	2
ISO 40 SLA 40 090 G.P	40	40	90	60	30	70	M 20	M 10	2
ISO 50SLA 06 075 G.P	50	6	75	20	15	40	M 5	M 6	1
ISO 50SLA 08 075 G.P	50	8	75	24	15	40	M 6	M 8	1
ISO 50SLA 10 075 G.P	50	10	75	30	16	44	M 8	M 10	1
ISO 50SLA 12 075 G.P	50	12	75	35	20	44	M 10	M 10	1
ISO 50SLA 16 075 G.P	50	16	75	40	23	52	M 12	M 10	1
ISO 50SLA 20 105 G.P	50	20	105	50	25	70	M 16	M 10	2
ISO 50SLA 25 105 G.P	50	25	105	50	25	70	M 20	M 10	2
ISO 50SLA 32 105 G.P	50	32	105	60	30	70	M 20	M 10	2
ISO 50SLA 40 105 G.P	50	40	105	60	30	70	M 20	M 10	2

Ordering Example :- ISO40 SLA25 090 P2 - 2 Nos.

All Details are subject to change without notice.