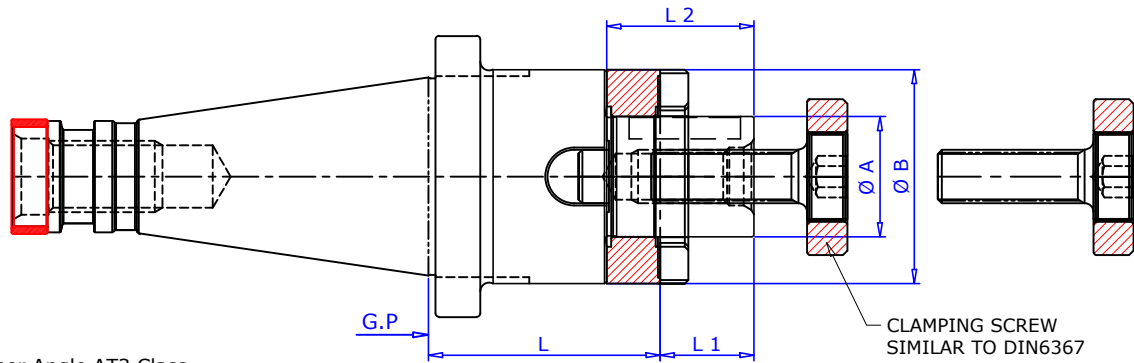


COMBY SHELL MILL ADAPTOR DIN 6358 (CSMA)



Taper Angle AT3 Class

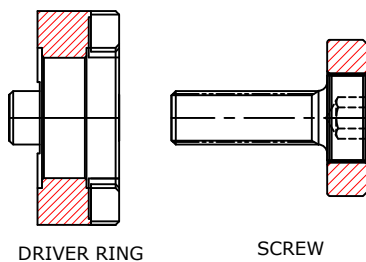
Maximum runout of MOUNTING taper to LOCATING  $\varnothing$  0.005mm

CLAMPING SCREW  
SIMILAR TO DIN6367  
WITH HIGH CLAMPING POWER

DESCRIPTION	ISO	$\varnothing A$	L	L 1	L 2	$\varnothing B$
ISO 30 CSMA 16 035 G.P	30	16	35	17	27	32
ISO 30 CSMA 22 035 G.P	30	22	35	19	31	40
ISO 30 CSMA 27 040 G.P	30	27	40	21	33	48
ISO 40 CSMA 16 052 G.P	40	16	52	17	27	32
ISO 40 CSMA 22 052 G.P	40	22	52	19	31	40
ISO 40 CSMA 27 052 G.P	40	27	52	21	33	48
ISO 40 CSMA 32 052 G.P	40	32	52	24	38	58
ISO 40 CSMA 40 052 G.P	40	40	52	27	41	70
ISO 50 CSMA 16 055 G.P	50	16	55	17	27	32
ISO 50 CSMA 22 055 G.P	50	22	55	19	31	40
ISO 50 CSMA 27 055 G.P	50	27	55	21	33	48
ISO 50 CSMA 32 065 G.P	50	32	65	24	38	58
ISO 50 CSMA 40 065 G.P	50	40	65	27	41	70

Ordering Example :- ISO 40 CSMA27 052 - 2 Nos.

DESCRIPTION	ISO	$\varnothing A$	L	L 1	L 2	$\varnothing B$
ISO 40 CSMA 16 090 G.P	40	16	90	17	27	32
ISO 40 CSMA 22 090 G.P	40	22	90	19	31	40
ISO 40 CSMA 27 090 G.P	40	27	90	21	33	48
ISO 40 CSMA 32 100 G.P	40	32	100	24	38	58
ISO 50 CSMA 16 100 G.P	50	16	100	17	27	32
ISO 50 CSMA 22 100 G.P	50	22	100	19	31	40
ISO 50 CSMA 27 100 G.P	50	27	100	21	33	48
ISO 50 CSMA 32 100 G.P	50	32	100	24	38	58
ISO 50 CSMA 40 100 G.P	50	40	100	27	41	70



A	DRIVER RING	SCREW	KEY W [ ] X L
16	DR 16X10	SCR 16XM8	KEY 4X20
22	DR 22X12	SCR 22XM10	KEY 6X25
27	DR 27X12	SCR 27XM12	KEY 7X25
32	DR 32X14	SCR 32XM16	KEY 8X30
40	DR 40X14	SCR 40XM20	KEY 10X30

Ordering Example :- ISO 40 CSMA27 090 - 2 Nos.

All Details are subject to change without notice.