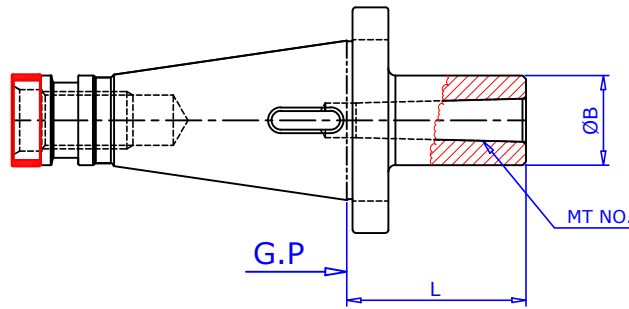


MORSE TAPER ADAPTOR SHANK (TANGED) DIN 228-2 FORM D



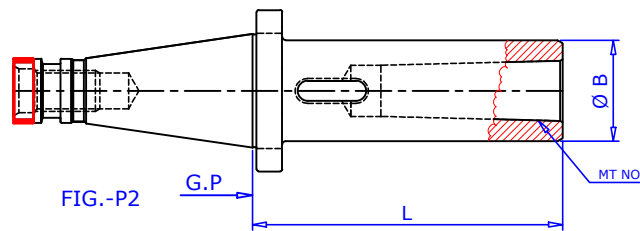
Taper Angle AT3 Class

Maximum runout of MOUNTING taper to INTERNAL taper 0.005mm

DESCRIPTION	ISO	MORSE	Ø B	L
ISO 30 MTA 01 050 G.P	30	1	25	50
ISO 30 MTA 02 060 G.P	30	2	32	60
ISO 30 MTA 03 075 G.P	30	3	40	75
ISO 40 MTA 01 050 G.P	40	1	25	50
ISO 40 MTA 02 050 G.P	40	2	32	50
ISO 40 MTA 03 070 G.P	40	3	40	70
ISO 40 MTA 04 095 G.P	40	4	48	95
ISO 50 MTA 01 050 G.P	50	1	25	50
ISO 50 MTA 02 060 G.P	50	2	32	60
ISO 50 MTA 03 065 G.P	50	3	40	65
ISO 50 MTA 04 095 G.P	50	4	48	95
ISO 50 MTA 05 120 G.P	50	5	63	120

Ordering Example :- ISO40 MTA 02 050 G.P - 2 Nos.

MORSE TAPER ADAPTOR SHANK (TANGED) DIN 228-2 FORM D (EXTRA LONG)



Taper Angle AT3 Class

Maximum runout of MOUNTING taper to INTERNAL taper 0.005mm

DESCRIPTION	ISO	MORSE	Ø B	L
ISO 30 MTA 01 110 G.P	30	1	25	110
ISO 30 MTA 02 120 G.P	30	2	32	120
ISO 30 MTA 03 140 G.P	30	3	40	140
ISO 40 MTA 01 115 G.P	40	1	25	115
ISO 40 MTA 02 125 G.P	40	2	32	125
ISO 40 MTA 03 140 G.P	40	3	40	140
ISO 40 MTA 01 120 G.P	50	1	25	120
ISO 50 MTA 02 140 G.P	50	2	32	140
ISO 50 MTA 03 150 G.P	50	3	40	150
ISO 50 MTA 04 180 G.P	50	4	48	180
ISO 50 MTA 05 220 G.P	50	5	63	220

Ordering Example :- ISO40 MTA02 0140 G.P - 2 Nos.

All Details are subject to change without notice.