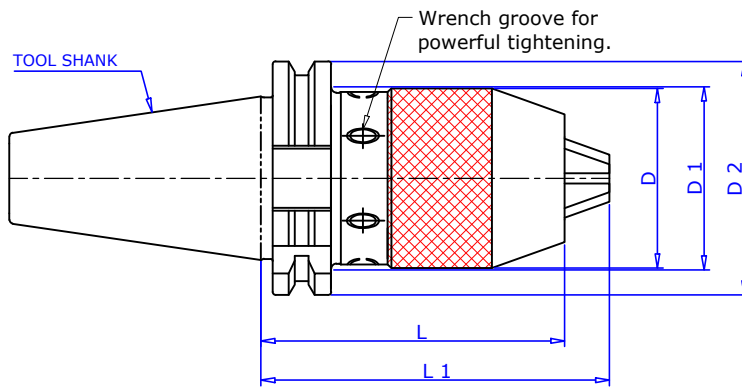


SIDDHI DRILL CHUCK (SDC)



Taper Angle AT3 Class

Balancing GRADE:- G6.3 /12,000 rev./min STD.

TYPE	Ø D	Ø D1	Ø D2	L	L1
SK40 x SNCDC113	50	54	63.5	112.0	124.5
SK50 x SNCDC113	50	59	97.5	103.5	116.0

Ordering Example :- SK40 SDC113 - 2 Nos.

COMPARISON DATA OF DRILL CHUCK TIGHTENING TORQUE

Type of drill chuck	Method of tightening	Twisting moment	Comparison %
SDC 113	By Hand	6.9 Nm	100
SNCDC 113	By wrench	21.8 Nm	300

NC SDC Wrench.

